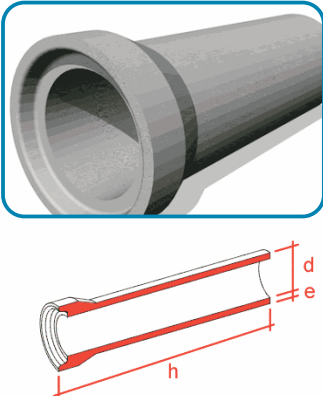
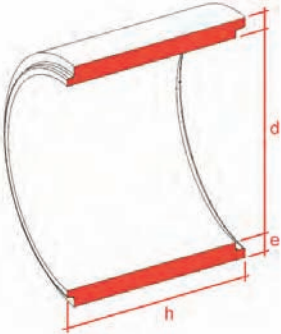


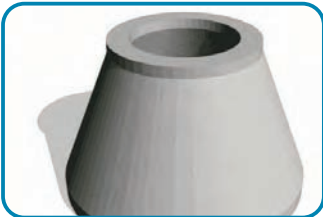
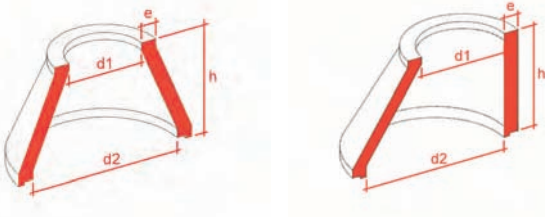
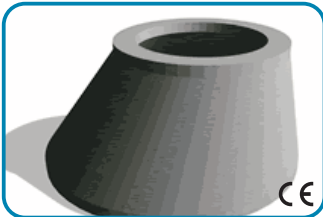
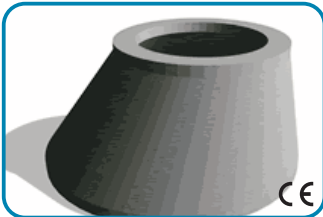
Manilhas

Manilhas	d / h / e (mm)	kg/uni
	Ø 300	
	300/1080/35	110
	Ø 400	
	400/1080/40	160
	Ø 500	
	500/1080/55	260
	Ø 600	
	600/1080/60	360
	Ø 800	
	800/1080/85	825

Tubos

Tubos	d / h / e (mm)	kg/uni
	Ø 1000	
	1000/1000/105	800
	Ø 1200	
	1200/1000/105	1025

Cones

Cones	d2 / d1 / h / e (mm)	kg/uni
	Ø 1000x600	
	Concêntrico 1000/600/750/100	470
	Ø 1200x600	
	Concêntrico 1200/600/750/105	675
	Ø 1000 - Ø 600	
	Excêntrico 1000/600/750/100	470
	Ø 1200 - Ø 600	
	Excêntrico 1200/600/750/105	675